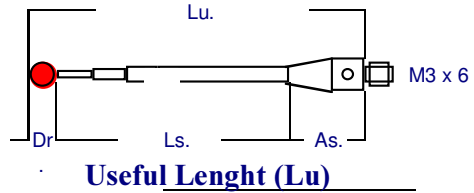
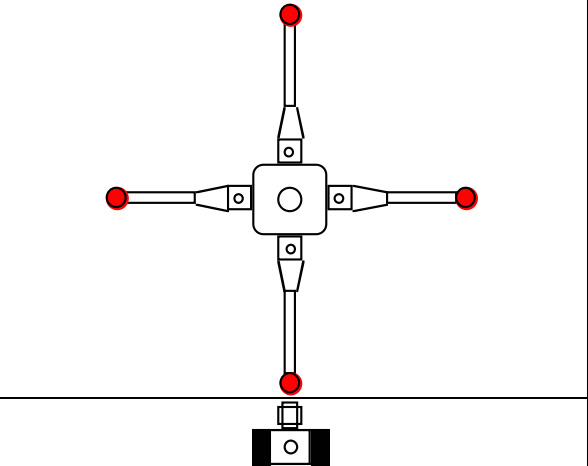
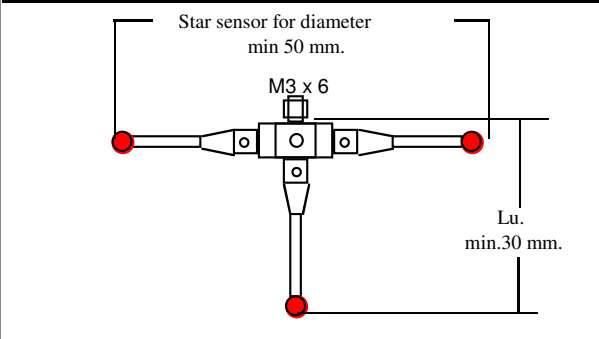


Sensors With Rubin sphere & Steel or Carbon Fiber Stem

Rubin sphere Diam.	Dr. 1-2-3-4 mm
Stem attac	As. 10 mm
Thread	M 3 x 6 mm
Suppliable Stem lenght	Ls. From 15 till 30 mm
Stem Diam.	Ds. 2 mm
Standard Sensor	Lu = 38 mm



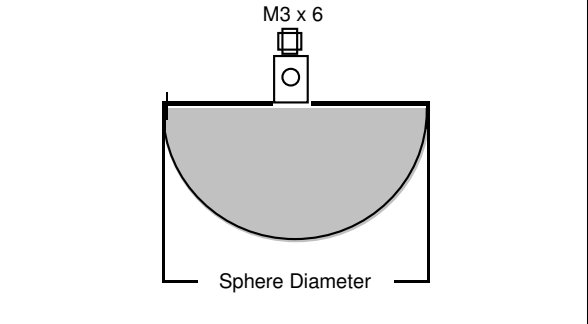
Star sensor



Centrator mod. BSP

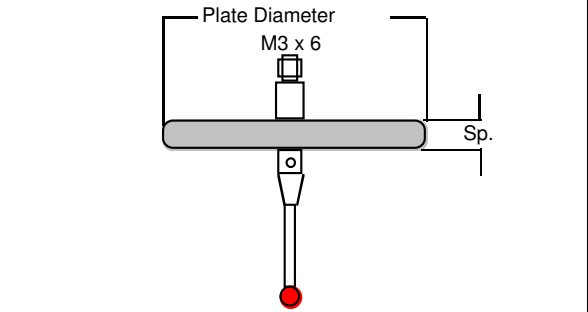
Sensor with touching element in ceramics

Ceramics Spere Diameter	mm. 25
	mm. 30



Sensor With Spheric border Plate

Diameter Ceramics	mm. 25Sp 3
	mm. 30Sp 3
	mm. 25Sp 4
	mm. 30Sp 4



For non Standard Sensor please consult us.